

Approval body for construction products
and types of construction

Bautechnisches Prüfamt

An institution established by the Federal and
Laender Governments



European Technical Assessment

ETA-12/0198
of 19 June 2017

English translation prepared by DIBt - Original version in German language

General Part

Technical Assessment Body issuing the
European Technical Assessment:

Deutsches Institut für Bautechnik

Trade name of the construction product

CELO screws VELOX

Product family
to which the construction product belongs

CELO screws VELOX for use in timber constructions

Manufacturer

CELO S.A.
Poligono Industrial Pla de la Bruguera
Rosselló, 7
08211 CASTELLAR DEL VALLÈS (BARCELONA)
SPANIEN

Manufacturing plant

9, 10

This European Technical Assessment
contains

23 pages including 4 annexes which form an integral part
of this assessment

This European Technical Assessment is
issued in accordance with Regulation (EU)
No 305/2011, on the basis of

European Assessment Document (EAD)
130118-00-0603

This version replaces

ETA-12/0198 issued on 24 May 2012

The European Technical Assessment is issued by the Technical Assessment Body in its official language. Translations of this European Technical Assessment in other languages shall fully correspond to the original issued document and shall be identified as such.

Communication of this European Technical Assessment, including transmission by electronic means, shall be in full. However, partial reproduction may only be made with the written consent of the issuing Technical Assessment Body. Any partial reproduction shall be identified as such.

This European Technical Assessment may be withdrawn by the issuing Technical Assessment Body, in particular pursuant to information by the Commission in accordance with Article 25(3) of Regulation (EU) No 305/2011.

Specific Part

1 Technical description of the product

VELOX screws are self-tapping screws made from special carbon or stainless steel. Screws made from carbon steel are hardened and they have a corrosion protection according to Annex A.2.6. The outer thread diameter is not less than 3.0 mm and not greater than 8.0 mm. The overall length of the screws is ranging from 15 mm to 400 mm. Further dimensions are shown in Annex 4.

The washers are made from carbon steel. The dimensions of the washers are given in Annex 4.

2 Specification of the intended use in accordance with the applicable European Assessment Document

The performances given in Section 3 are only valid if the screws are used in compliance with the specifications and conditions given in Annex 1 and 2.

Durability is only ensured if the specifications of intended use according to Annex 1 and 2 are taken into account.

The verifications and assessment methods on which this European Technical Assessment is based lead to the assumption of a working life of the screws of at least 50 years. The indications given on the working life cannot be interpreted as a guarantee given by the producer, but are to be regarded only as a means for choosing the right products in relation to the expected economically reasonable working life of the works.

3 Performance of the product and references to the methods used for its assessment

3.1 Mechanical resistance and stability (BWR 1)

Essential characteristic	Performance
Dimensions	See Annex 4
Characteristic yield moment	See Annex 2
Characteristic withdrawal parameter	See Annex 2
Characteristic head pull-through parameter	See Annex 2
Characteristic tensile strength	See Annex 2
Characteristic yield strength	No performance determined
Characteristic torsional strength	See Annex 2
Insertion moment	See Annex 2
Spacing, end and edge distances of the screws and minimum thickness of the wood based material	See Annex 2
Slip modulus for mainly axially loaded screws	See Annex 2

English translation prepared by DIBt

3.2 Safety in case of fire (BWR 2)

Essential characteristic	Performance
Reaction to fire	The screws are made of steel classified as Euroclass A1 in accordance with EC decision 96/603/EC, as amended by EC decision 2000/605/EC.

3.3 Safety and accessibility in use (BWR 4)

Same as BWR 1

4 Assessment and verification of constancy of performance (AVCP) system applied, with reference to its legal base

In accordance with EAD No. 130118-00-0603 the applicable European legal act is: 97/176/EC.
The system to be applied is: 3

5 Technical details necessary for the implementation of the AVCP system, as provided for in the applicable EAD

Technical details necessary for the implementation of the AVCP system are laid down in the control plan deposited with Deutsches Institut für Bautechnik.

Issued in Berlin on 19 June 2017 by Deutsches Institut für Bautechnik

BD Dipl.-Ing. Andreas Kummerow
Head of Department

beglaubigt:
Dewitt

Annex 1 Specifications of intended use

A.1.1 Use of the VELOX Screws only for:

- Static and quasi-static loads

A.1.2 Base materials

The screws are used for connections in load bearing timber structures between wood-based members or between those members and steel members:

- Solid timber (softwood) according to EN 14081-1¹,
- Glued laminated timber (softwood) according to EN 14080²,
- Laminated veneer lumber LVL of softwood according to EN 14374³, arrangement of the screws only perpendicular to the plane of the veneers,
- Glued solid timber (softwood) according to EN 14080 or national provisions that apply at the installation site,
- Cross-laminated timber (softwood) according to European Technical Approvals/Assessments or national provisions that apply at the installation site.

The screws may be used for connecting the following wood-based panels to the timber members mentioned above:

- Plywood according to EN 636⁴ and EN 13986⁵,
- Oriented Strand Board, OSB according to EN 300⁶ and EN 13986,
- Particleboard according to EN 312⁷ and EN 13986,
- Fibreboards according to EN 622-2⁸, EN 622-3⁹ and EN 13986,
- Cement-bonded particle boards according to EN 634-2¹⁰ and EN 13986,
- Solid-wood panels according to EN 13353¹¹ and EN 13986.

Wood-based panels shall only be arranged on the side of the screw head.

VELOX Screws may be used for the fixing of thermal insulation material on top of rafters or on wood-based members in vertical façades.

electronic copy of the eta by dibt: eta-12/0198

1	EN 14081-1:2005+A1:2011	Timber structures – Strength graded structural timber with rectangular cross section – Part 1: General requirements
2	EN 14080:2013	Timber structures - Glued laminated timber and glued solid timber - Requirements
3	EN 14374:2004	Timber structures - Structural laminated veneer lumber - Requirements
4	EN 636:2012+A1:2015	Plywood - Specifications
5	EN 13986:2004+A1:2015	Wood-based panels for use in construction - Characteristics, evaluation of conformity and marking
6	EN 300:2006	Oriented strand boards (OSB) – Definition, classification and specifications
7	EN 312:2010	Particleboards - Specifications
8	EN 622-2:2004	Fibreboards – Specifications – Part 2: Requirements for hardboards
9	EN 622-3:2004	Fibreboards - Specifications - Part 3: Requirements for medium boards
10	EN 634-2:2007	Cement-bonded particleboards – Specifications – Part 2: Requirements for OPC bonded particleboards for use in dry, humid and external conditions
11	EN 13353:2008+A1:2011	Solid wood panels (SWP) – Requirements

CELO screws VELOX	Annex 1
Specifications of intended use	

A.1.3 Use Conditions (environmental conditions)

The corrosion protection of the VELOX Screws is specified in Annex A.2.6. With regards to the use and the environmental conditions, the national provisions of the place of installation apply.

A.1.4 Installation provisions

EN 1995-1-1¹² in conjunction with the respective national annex applies for the installation.

A minimum of two screws shall be used for connections in load bearing timber structures. This does not apply for special situations specified in National Annexes to EN 1995-1-1.

The screws are driven into the wood-based member made of softwood without pre-drilling. The screw holes in steel members shall be pre-drilled with an adequate diameter greater than the outer thread diameter.

If screws with an outer thread diameter $d = 8$ mm are driven into the wood-based member without pre-drilling, the structural solid or glued laminated timber, laminated veneer lumber and similar glued members shall be from spruce, pine or fir.

In the case of fastening battens on thermal insulation material on top of rafters the screws shall be driven in the rafter through the battens and the thermal insulation material without pre-drilling in one sequence.

Countersunk head screws may be used with washers according to Annex 4. After inserting the screw the washers shall touch the surface of the wood-based member completely.

By fastening screws in wood-based members the head of the screws shall be flush with the surface of the wood-based member. For pan head screws the head part k remains unconsidered.

¹² EN 1995-1-1: 2004+AC:2006+A1:2008+A2:2014 Eurocode 5: Design of timber structures – Part 1-1: General - Common rules and rules for buildings

CELO screws VELOX	Annex 1
Installation provisions	

ANNEX 2 – Characteristic values of the load-carrying capacities

Table A.2.1 Characteristic load-carrying capacities of VELOX Screws

Outer thread diameter [mm]		3.0	3.5	4.0	4.5	5.0	6.0	8.0
Characteristic yield moment $M_{y,k}$ [Nm]	Carbon steel	1.5	1.9	2.8	3.6	5.3	9.1	24.4
	Stainless steel	0.9	1.4	2.0	2.7	3.4	5.1	-
Characteristic tensile strength $f_{tens,k}$ [kN]	Carbon steel	3.2	3.9	5.6	6.1	8.3	11.9	22.6
	Stainless steel	1.8	2.4	3.1	4.0	4.8	7.1	-
Characteristic torsional strength $f_{tor,k}$ [Nm]	Carbon steel	1.5	2.0	3.0	4.0	6.0	10.0	27.0
	Stainless steel	0.7	1.4	2.2	3.3	4.4	6.2	-

A.2.1 General

The minimum penetration length of the threaded part of the screw in the wood-based members l_{ef} shall be

$$l_{ef} = \frac{4 \cdot d}{\sin \alpha} \quad (2.1)$$

where

- α angle between screw axis and grain direction
- d outer thread diameter of the screw.

The outer thread diameter of screws inserted in cross-laminated timber shall be at least 6 mm. The inner thread diameter d_1 of the screws shall be greater than the maximal width of the gaps in the layer of cross laminated timber.

A.2.2 Laterally loaded screws

The outer thread diameter d shall be used as effective diameter of the screw according to EN 1995-1-1. The embedding strength for the screws in wood-based members or in wood-based panels shall be taken from EN 1995-1-1 or from national provisions that apply at the installation site unless otherwise specified in the following.

A.2.3 Axially loaded screws

The axial slip modulus K_{ser} of the threaded part of a screw for the serviceability limit state shall be taken independent of angle α to the grain as:

$$K_{ser} = 780 \cdot d^{0,2} \cdot l_{ef}^{0,4} \quad [\text{N/mm}] \quad (2.2)$$

Where

- d outer thread diameter of the screw [mm]
- l_{ef} penetration length of the of the threaded part of the screw in the wood-based member [mm].

CELO screws VELOX	Annex 2
Characteristic values of the load-carrying capacities	

A.2.3.1 Axial withdrawal capacity

The characteristic withdrawal parameter at an angle $\alpha = 90^\circ$ to the grain based on a characteristic density of the wood-based member of 350 kg/m^3 is

$$f_{ax,k} = 11.5 \text{ N/mm}^2.$$

For LVL a maximum characteristic density of 500 kg/m^3 shall be used in equation (8.40a) of EN 1995-1-1.

For screws penetrating more than one layer of cross-laminated timber the different layers may be taken into account proportionally. In the lateral surfaces of the cross-laminated timber the screws shall be fully inserted in one layer.

A.2.3.2 Head pull-through capacity

The characteristic value of the head pull-through parameter for VELOX Screws for a characteristic density of 350 kg/m^3 of the timber and for wood-based panels like

- Plywood according to EN 636 and EN 13986
- Oriented Strand Board, OSB according to EN 300 and EN 13986
- Particleboard according to EN 312 and EN 13986
- Fibreboards according to EN 622-2, EN 622-3 and EN 13986
- Cement-bonded particle boards according to EN 634-2 and EN 13986,
- Solid-wood panels according to EN 13353 and EN 13986

with a thickness of more than 20 mm is

$$f_{head,k} = 9.4 \text{ N/mm}^2.$$

For wood-based panels a maximum characteristic density of 380 kg/m^3 and for LVL a maximum characteristic density of 500 kg/m^3 shall be used in equation (8.40b) of EN 1995-1-1.

The head diameter shall be equal to or greater than $1.8 \cdot d_s$, where d_s is the smooth shank or the inner thread diameter. Otherwise the characteristic head pull-through capacity in equation (8.40b) of EN 1995-1-1 is for all wood-based materials: $F_{ax,\alpha,RK} = 0$.

For wood based panels with a thickness $12 \text{ mm} \leq t \leq 20 \text{ mm}$ the characteristic value of the head pull-through parameter for the screws is:

$$f_{head,k} = 8 \text{ N/mm}^2$$

For wood based panels with a thickness of less than 12 mm the characteristic head pull-through capacity for screws shall be based on a characteristic value of the head pull-through parameter of 8 N/mm^2 , and limited to 400 N complying with the minimum thickness of the wood based panels of $1.2 \cdot d$, with d as outer thread diameter and the values in Table A.2.2.

Table A.2.2 Minimum thickness of wood based panels

Wood based panel	Minimum thickness [mm]
Plywood	6
Fibreboards (hardboards and medium boards)	6
Oriented Strand Boards, OSB	8
Particleboards	8
Cement-bonded particle board	8
Solid wood Panels	12

In steel-to-timber connections the head pull-through capacity is not governing.

CELO screws VELOX	Annex 2
Characteristic values of the load-carrying capacities	

A.2.4 Spacing, end and edge distances of the screws and minimum thickness of the wood based material

Minimum thickness for structural members is $t = 30$ mm.

A.2.4.1 Laterally and/or axially loaded screws

Screws in non pre-drilled holes

For VELOX Screws minimum spacing and distances are given in EN 1995-1-1: 2004+AC:2006+A1:2008+A2:2014, clause 8.3.1.2 and Table 8.2 as for nails in non-predrilled holes. Here, the outer thread diameter d shall be considered.

For Douglas fir members minimum spacing and distances parallel to the grain shall be increased by 50%.

Minimum distances from loaded or unloaded ends shall be at least $15 \cdot d$ for screws with outer thread diameter $d = 8$ mm and timber thickness $t < 5 \cdot d$.

A.2.4.2 Only axially loaded screws

For VELOX Screws the minimum spacings, end and edge distances are given in EN 1995-1-1:2004+AC:2006+A1:2008+A2:2014, clause 8.3.1.2 and Table 8.2 as for nails in non-predrilled holes and clause 8.7.2, Table 8.6.

A.2.5 Insertion moment

The ratio between the characteristic torsional strength $f_{tor,k}$ and the mean value of insertion moment $R_{tor,mean}$ fulfills the requirement for all screws.

A.2.6 Durability against corrosion

Screws and washers made from carbon steel may have the coatings according to Table A.2.3

Table A.2.3 Coatings of the VELOX Screws

Coating		Mean thickness of the coating [μm]
Electrolytically galvanised	blue chromated	5
	yellow chromated	
	black passivated	
brass plated		5
nickel plated		5

Steel no. 1.4567 is used for screws made from stainless steel.

CELO screws VELOX	Annex 2
Spacing, end and edge distances, insertion moment and durability against corrosion	

ANNEX 3 - Fastening of thermal insulation material on top of rafters

A.3.1 General

VELOX Screws may be used for the fixing of thermal insulation material on top of rafters or on wood-based members in vertical façades. In the following, the meaning of the word rafter includes wood-based members with inclinations between 0° and 90°.

The thickness of the thermal insulation material may be up to 300 mm. The thermal insulation material shall be applicable as insulation on top of rafters or for façades according to national provisions that apply at the installation site.

The battens have to be from solid timber according to EN 338/ EN 14081-1. The minimum thickness t and the minimum width b of the battens are given in table A.3.1:

Table A.3.1 Minimum thickness and minimum width of the battens

Outer thread diameter [mm]	Minimum thickness t [mm]	Minimum width b [mm]
6 and 8	30	50

Instead of battens the wood-based panels specified in chapter A.3.2.1 may be used. Only screws with countersunk head shall be used for fixing wood-based panels on rafters with thermal insulation material as interlayer.

The minimum width of the rafters shall be 60 mm.

The spacing between screws shall be not more than 1.75 m.

Friction forces shall not be considered for the design of the characteristic axial load of the screws.

The anchorage of wind suction forces as well as the bending stresses of the battens shall be considered for design. Screws perpendicular to the grain of the rafter (angle $\alpha = 90^\circ$) may be arranged where required considering the design of the battens.

A.3.2 Parallel inclined screws and thermal insulation material in compression

A.3.2.1 Mechanical model

The system of rafter, thermal insulation material on top of rafter and counter battens parallel to the rafter may be considered as a beam on elastic foundation. The counter batten represents the beam, and the thermal insulation material on top of the rafter the elastic foundation. The minimum compressive stress of the thermal insulation material at 10 % deformation, measured according to EN 826¹³, shall be $\sigma_{(10\%)} = 0.05 \text{ N/mm}^2$. The counter batten is loaded perpendicular to the axis by point loads F_b transferred by regularly spaced battens. Further point loads F_s are caused by the shear load of the roof due to dead and snow load, which are transferred from the screw heads into the counter battens.

Instead of battens the following wood-based panels may be used to cover the thermal insulation material if they are suitable for that use:

- Plywood according to EN 636 and EN 13986,
- Oriented Strand Board, OSB according to EN 300 and EN 13986,
- Particleboard according to EN 312 and EN 13986
- Fibreboards according to EN 622-2, EN 622-3 and EN 13986.

The minimum thickness of the wood-based panels shall be 22 mm.

The word batten includes the meaning of wood-based panels in the following.

¹³ EN 826:2013 Thermal insulating products for building applications - Determination of compression behaviour

CELO screws VELOX	Annex 3
Fastening of thermal insulation material on top of rafters	

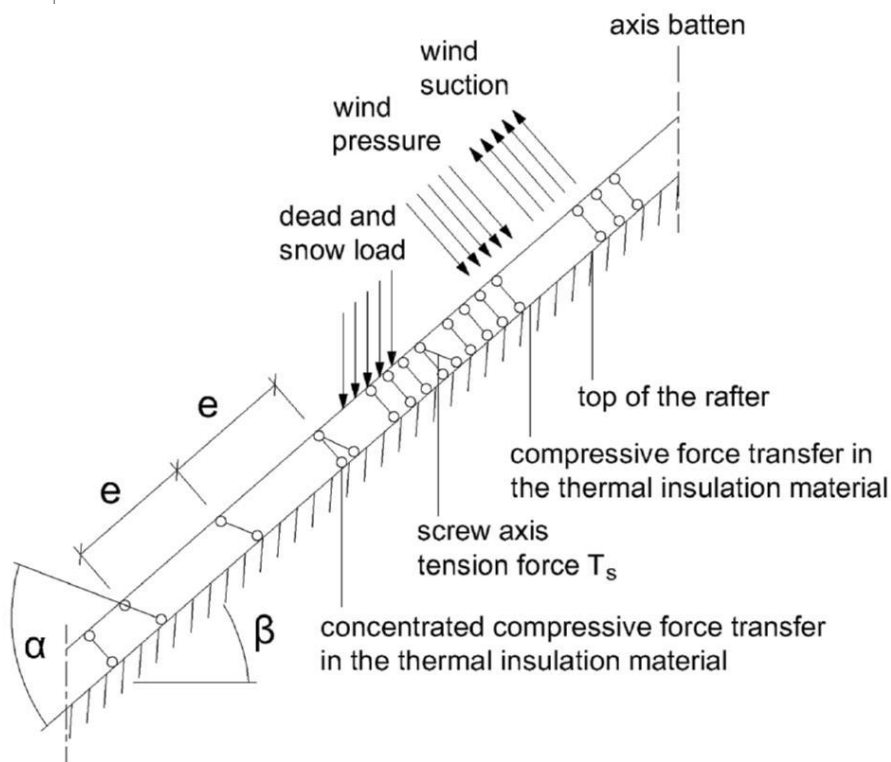
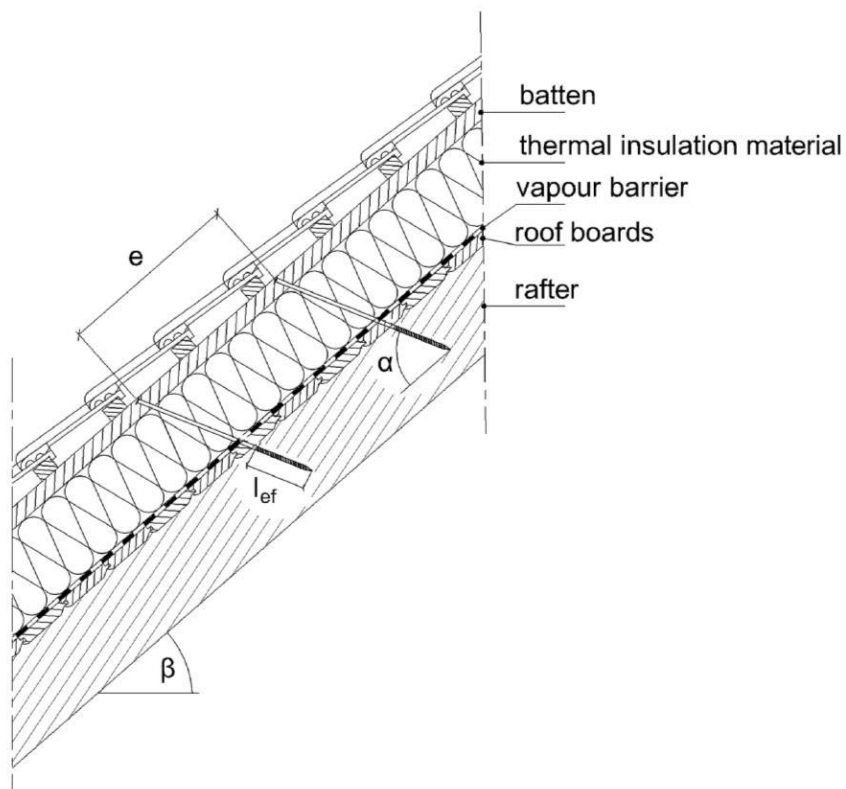


Figure A.3.1 Fastening of the thermal insulation material on top of rafters - structural system for parallel inclined screws

electronic copy of the eta by dibt: eta-12/0198

CELO screws VELOX	Annex 3
Fastening of the thermal insulation material on top of rafters	

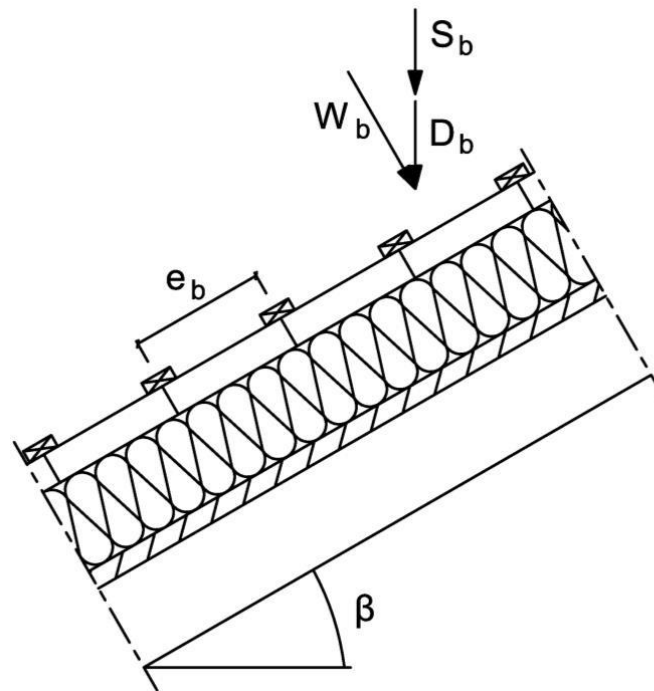


Figure A.3.2 Point loads F_b perpendicular to the battens

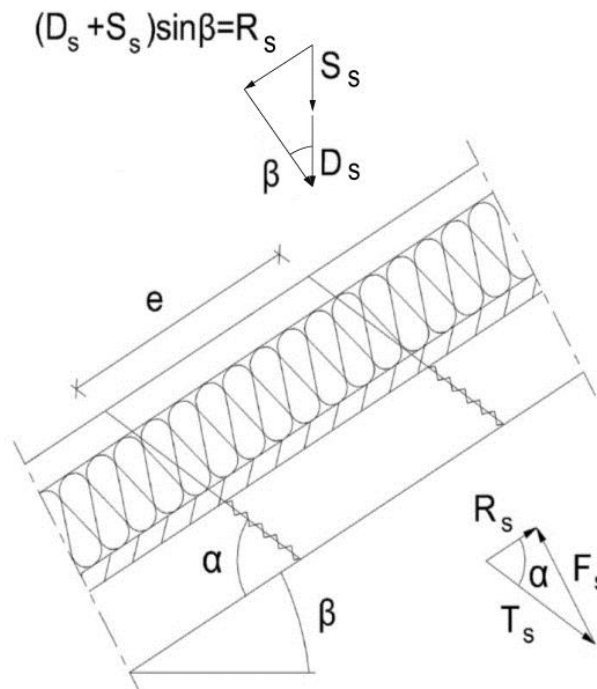


Figure A.3.3 Point loads F_s perpendicular to the battens, load application in the area of the screw heads

electronic copy of the eta by dibt: eta-12/0198

CELO screws VELOX	Annex 3
Fastening of thermal insulation material on top of rafters	

A.3.2.2 Design of the battens

It's assumed that the spacing between the counter battens exceeds the characteristic length l_{char} .

The characteristic values of the bending stresses are calculated as:

$$M_k = \frac{(F_{b,k} + F_{s,k}) \cdot l_{char}}{4} \quad (3.1)$$

where

$$l_{char} = \text{characteristic length } l_{char} = 4 \sqrt{\frac{4 \cdot EI}{w_{ef} \cdot K}} \quad (3.2)$$

EI = bending stiffness of the batten

K = coefficient of subgrade

w_{ef} = effective width of the thermal insulation material

$F_{b,k}$ = point loads perpendicular to the battens

$F_{s,k}$ = point loads perpendicular to the battens, load application in the area of the screw heads

The coefficient of subgrade K may be calculated from the modulus of elasticity E_{HI} and the thickness t_{HI} of the thermal insulation material if the effective width w_{ef} of the thermal insulation material under compression is known. Due to the load extension in the thermal insulation material the effective width w_{ef} is greater than the width of the batten or rafter, respectively. For further calculations, the effective width w_{ef} of the thermal insulation material may be determined according to:

$$w_{ef} = w + t_{HI}/2 \quad (3.3)$$

where

w = minimum from width of the batten or rafter, respectively

t_{HI} = thickness of the thermal insulation material

$$K = \frac{E_{HI}}{t_{HI}} \quad (3.4)$$

The following condition shall be satisfied:

$$\frac{\sigma_{m,d}}{f_{m,d}} = \frac{M_d}{W \cdot f_{m,d}} \leq 1 \quad (3.5)$$

For the calculation of the section modulus W the net cross section shall be considered.

The characteristic values of the shear stresses shall be calculated according to:

$$V_k = \frac{(F_b + F_s)}{2} \quad (3.6)$$

The following condition need to be satisfied:

$$\frac{\tau_d}{f_{v,d}} = \frac{1.5 \cdot V_d}{A \cdot f_{v,d}} \leq 1 \quad (3.7)$$

For the calculation of the cross section area the net cross section shall be considered.

CELO screws VELOX	Annex 3
Fastening of thermal insulation material on top of rafters	

A.3.2.3 Design of the thermal insulation material

The characteristic value of the compressive stresses in the thermal insulation material shall be calculated according to:

$$\sigma_k = \frac{1.5 \cdot F_{b,k} + F_{s,k}}{2 \cdot l_{char} \cdot w} \quad (3.8)$$

The design value of the compressive stress shall not be greater than 110 % of the compressive strength at 10 % deformation calculated according to EN 826.

A.3.2.4 Design of the screws

The screws are loaded predominantly axial. The characteristic value of the axial tension force in the screw may be calculated from the shear loads of the roof R_s :

$$T_{S,k} = \frac{R_{S,k}}{\cos \alpha} \quad (3.9)$$

The load-carrying capacity of axially loaded screws is the minimum design value of the axial withdrawal capacity of the threaded part of the screw, the head pull-through capacity of the screw and the tensile capacity of the screw according to Annex 2.

In order to limit the deformation of the screw head for thermal insulation material with thickness over 220 mm or with compressive strength below 0.12 N/mm², respectively, the axial withdrawal capacity of the screws shall be reduced by the factors k_1 and k_2 :

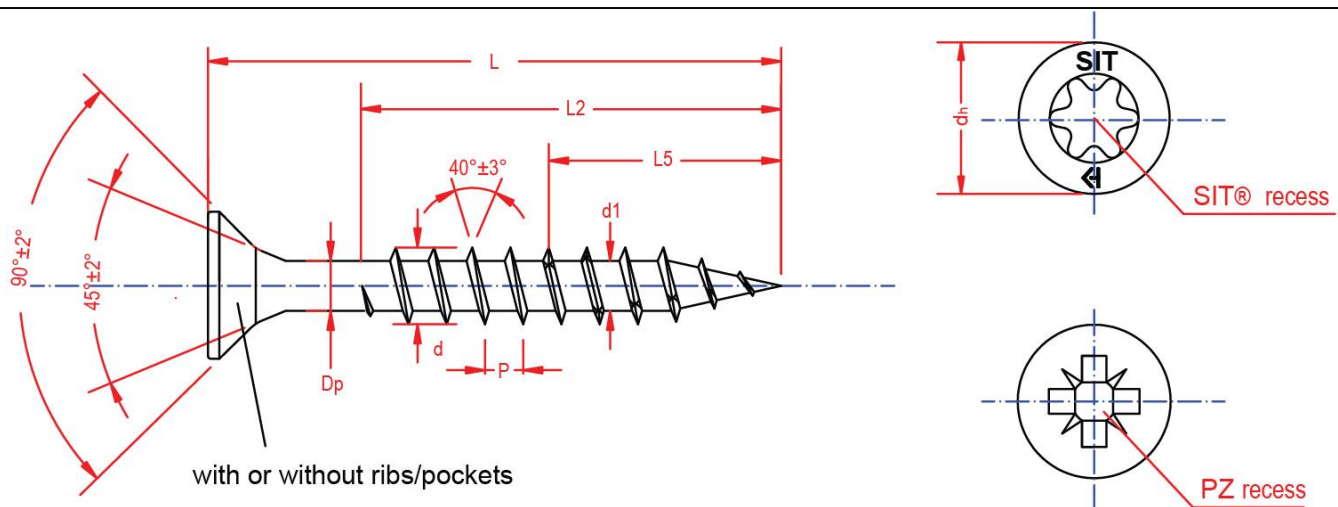
$$F_{ax,\alpha,Rd} = \min \left\{ \frac{f_{ax,d} \cdot d \cdot l_{ef} \cdot k_1 \cdot k_2}{1.2 \cdot \cos^2 \alpha + \sin^2 \alpha} \cdot \left(\frac{\rho_k}{350} \right)^{0.8}; f_{head,d} \cdot d_h^2 \cdot \left(\frac{\rho_k}{350} \right)^{0.8}; \frac{f_{tens,k}}{\gamma_{M2}} \right\} \quad (3.10)$$

where:

- $f_{ax,d}$ design value of the axial withdrawal parameter of the threaded part of the screw [N/mm²]
- d outer thread diameter of the screw [mm]
- l_{ef} penetration length of the threaded part of the screw in the rafter [mm], $l_{ef} \geq 40$ mm
- ρ_k characteristic density of the wood-based member [kg/m³], for LVL the assumed characteristic density shall not exceed 500 kg/m³
- α angle α between screw axis and grain direction, $30^\circ \leq \alpha \leq 90^\circ$
- $f_{head,d}$ design value of the head pull-through parameter of the screw [N/mm²]
- d_h head diameter of the screw [mm]
- $f_{tens,k}$ characteristic tensile capacity of the screw according to Annex 2 [N]
- γ_{M2} partial factor according to EN 1993-1-1 in conjunction with the particular national annex
- k_1 $\min \{1; 220/t_{HI}\}$
- k_2 $\min \{1; \sigma_{10\%}/0.12\}$
- t_{HI} thickness of the thermal insulation material [mm]
- $\sigma_{10\%}$ compressive stress of the thermal insulation material under 10 % deformation [N/mm²]

If equation (3.10) is fulfilled, the deflection of the battens does not need to be considered when designing the load-carrying capacity of the screws.

CELO screws VELOX	Annex 3
Fastening of thermal insulation material on top of rafters	



VELOX SCREWS Ø3 to Ø5 and L>13 (Double countersunk head) with partial or full thread											
Thread		Ø3,0	Ø3,5	Ø4,0	Ø4,5	Ø5,0					
d _h	Nominal	6.00	7.00	8.00	9.00	10.00					
	Tolerances	+0.10 / -0.50	+0.20 / -0.50	+0.20 / -0.60	+0.30 / -0.60	+0.30 / -0.70					
d	Nominal	3.00	3.50	4.00	4.50	5.00					
	Tolerances	+0.10 / -0.20	+0.10 / -0.25	+0.10 / -0.30	+0.10 / -0.35	+0.10 / -0.40					
d ₁	Nominal	2.00	2.20	2.50	2.70	3.10					
	Tolerances	+0.05 / -0.15	+0.10 / -0.12	+0.10 / -0.15	+0.10 / -0.17	+0.10 / -0.20					
D _p	Nominal	2.20	2.55	2.90	3.20	3.50					
	Tolerances	± 0.10	± 0.12	± 0.14	± 0.16	± 0.15					
P	Nominal	1.60	1.80	2.00	2.20	2.60					
	Tolerances	± 0.16	± 0.18	± 0.20	± 0.22	± 0.26					
Recess	Pozidriv	Z1	Z2	Z2	Z2	Z2					
	Sit	SIT® 10	as Annex A2	SIT® 20	SIT® 20	SIT® 20					
L5		min. 25 % L2									
L		L2									
Nominal	Tolerances	FT	PT	FT	PT	FT	PT	FT	PT	FT	PT
17	+ 0.50 / - 1.00	12.80									
20	+ 0.50 / - 1.50	15.70		15.70							
25	+ 0.50 / - 1.50	20.70		20.70		20.70		18.70			
30	+ 0.50 / - 1.50	25.70		25.70		25.70		23.70		23.20	
35	+ 1.00 / - 2.50	30.60	20.00	29.35	20.00	29.60	20.00	28.10	20.00	28.10	
40	+ 1.00 / - 2.50	35.60	25.00	34.35	25.00	34.60	25.00	33.10	25.00	33.10	25.00
45	+ 1.00 / - 2.50			39.35	30.00	39.60	30.00	38.10	30.00	38.10	30.00
50	+ 1.00 / - 2.50			44.35	30.00	44.60	30.00	43.10	30.00	43.10	30.00
60	± 3.00					54.50	35.00	53.00	35.00	52.50	35.00
70	± 3.00					64.50	40.00	63.00	40.00	62.50	40.00
80	± 3.00							73.00	50.00	72.50	50.00
90	± 3.00										60.00
100	± 3.00										60.00

All values in mm except where are indicated.

FT = Full Thread PT = Partial Thread

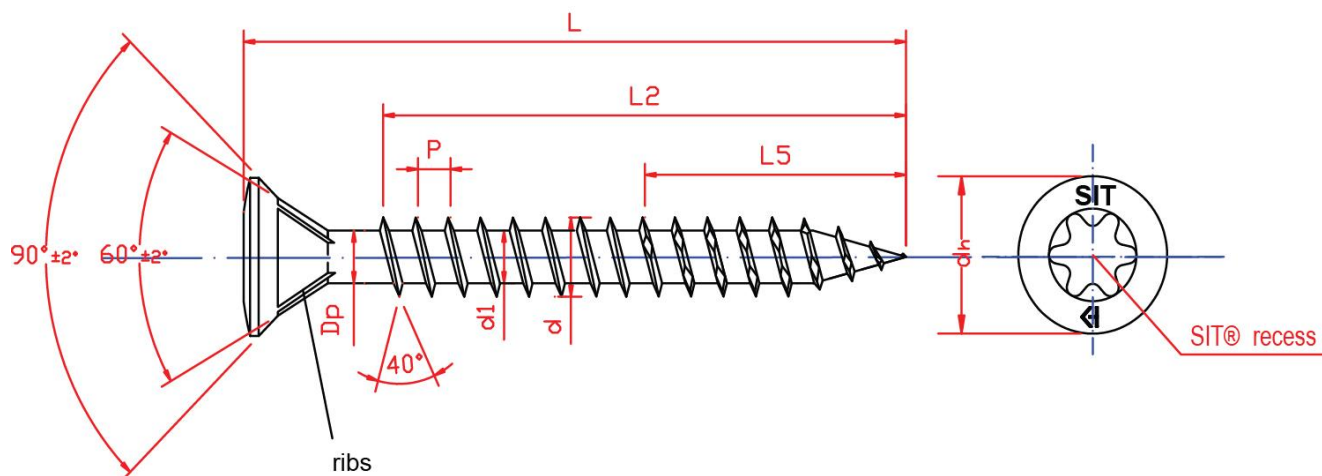
Tolerances for L2: L2 ≤ 20 mm → ± 1.0 mm
20 < L2 < 40 mm → ± 1.5 mm
L2 ≥ 40mm → ± 2.0 mm

Material: Carbon steel.

CELO screws VELOX

VELOX screws with countersunk head – Carbon steel

Annex 4.1



VELOX SCREWS (Ø3.5 SIT® version)				
Thread		Ø3,5		
d_h	Nominal	7.00		
	Tolerances	+0.20 / -0.50		
d	Nominal	3.50		
	Tolerances	+0.10 / -0.25		
d_1	Nominal	2.20		
	Tolerances	+0.10 / -0.12		
D_p	Nominal	2.55		
	Tolerances	± 0.12		
P	Nominal	1.80		
	Tolerances	± 0.18		
Recess	Sit	SIT® 20		
L_5		min. 25 % L_2		
L		L_2		
	Nominal	Tolerances	FT	PT
	20	+ 0.50 / - 1.50	15.70	
	25	+ 0.50 / - 1.50	20.70	
	30	+ 0.50 / - 1.50	25.70	
	35	+ 1.00 / - 2.50	29.35	20.00
	40	+ 1.00 / - 2.50	34.35	25.00
	45	+ 1.00 / - 2.50	39.35	30.00
	50	+ 1.00 / - 2.50	44.35	30.00

All values in mm except where are indicated.

FT = Full Thread PT = Partial Thread

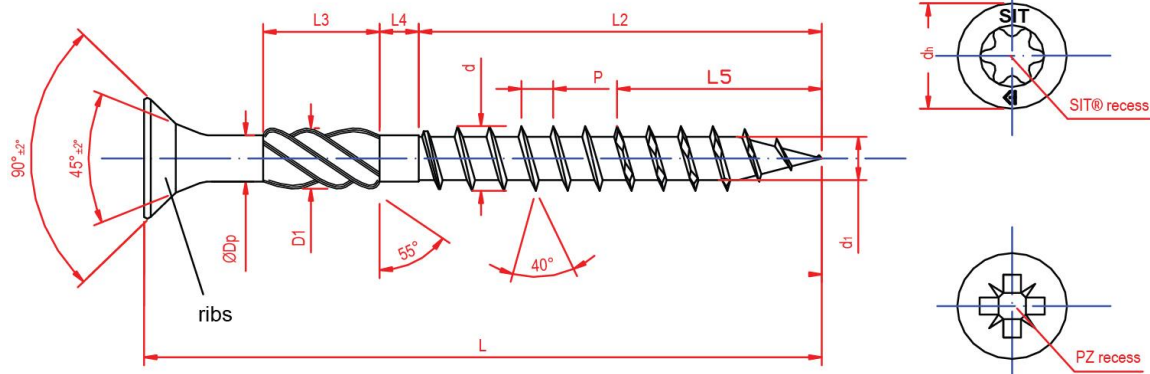
Tolerances for L_2 : $L_2 \leq 20$ mm $\rightarrow \pm 1.0$ mm
 $20 < L_2 < 40$ mm $\rightarrow \pm 1.5$ mm
 $L_2 \geq 40$ mm $\rightarrow \pm 2.0$ mm

Material: Carbon steel.

CELO screws VELOX

VELOX screw $d = 3.5$ mm with SIT® recess – Carbon steel

Annex 4.2



VELOX SCREWS (Ø6mm double countersunk head) with partial or full thread			
Thread		Ø6,0	
d _h	Nominal	12.00	
	Tolerances	+0.40 / -0.80	
d	Nominal	6.00	
	Tolerances	+0.20 / -0.40	
d ₁	Nominal	3.70	
	Tolerances	+0.15 / -0.20	
D _p	Nominal	4.30	
	Tolerances	+0.10 / -0.30	
P	Nominal	2.60	
	Tolerances	± 0.26	
D ₁	Nominal	5.05	
	Tolerances	± 0.25	
Recess	Pozidriv	PZ3	
	Sit	SIT [®] 30	
L ₅		min 25 % L ₂	
L		L ₂	
Nominal	Tolerances	FT	PT
40	+ 1.00 / - 2.50	32.60	
50	+ 1.00 / - 2.50	42.60	30.00
60	± 3.00	52.50	35.00
70	± 3.00	59.25	40.00
80	± 3.00	69.25	50.00
90	± 3.00		60.00
100	± 3.00		
110	± 3.00		70.00
120	± 3.00		
130	± 3.00		
140	± 3.00		
150	± 3.00		
160	± 4.00		
180	± 4.00		
200	± 4.00		
220	± 4.00		

All values in mm except where are indicated.

FT = Full Thread PT = Partial Thread

Stripping thread (L₃) and L₄ for lengths ≥ 80mm.
Tolerances for L₂ : L₂ ≤ 20 mm → ± 1.0 mm
20 < L₂ < 40 mm → ± 1.5 mm
L₂ ≥ 40 mm → ± 2.0 mm

Tolerances for L₃ → 10.40 ± 0.50 mm and L₄ → 3.25 ± 0.25 mm

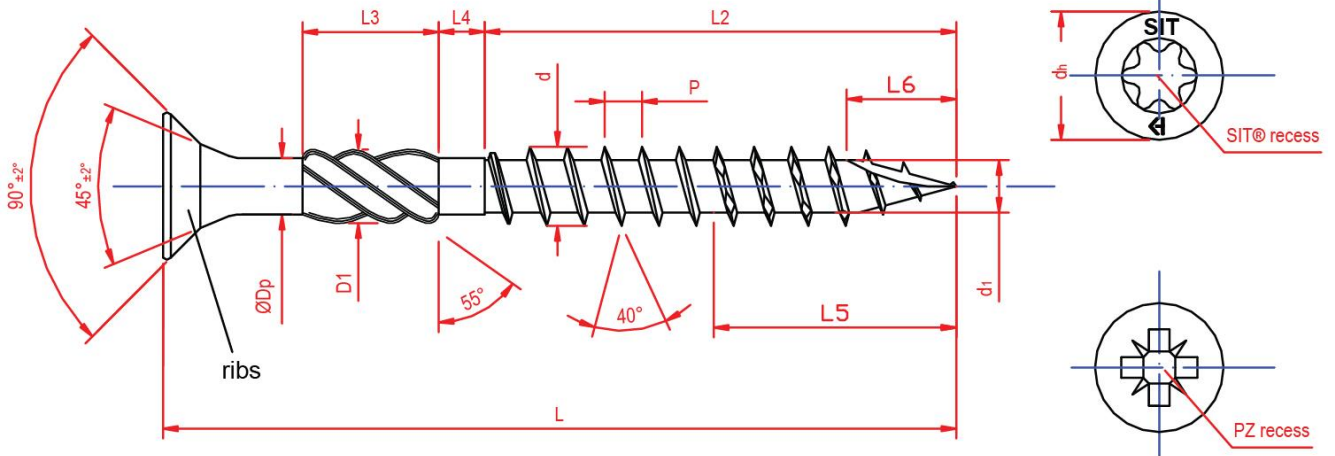
Material: Carbon steel.

CELO screws VELOX

VELOX screw d = 6.0 mm with SIT[®] or PZ recess – Carbon steel

Annex 4.3

English translation prepared by DIBt



VELOX SCREWS (structural)		
Screw		Ø8,0
d _h	Nominal	15.00
	Tolerances	+0.50 / -1.00
d	Nominal	8.10
	Tolerances	± 0.40
d ₁	Nominal	5.40
	Tolerances	+0.10 / -0.40
D _p	Nominal	6.00
	Tolerances	+0.20 / -0.40
P	Nominal	3.80
	Tolerances	± 0.38
D ₁	Nominal	7.20
	Tolerances	± 0.30
Recess	Sit	SIT® 40
L ₃	Nominal	10.40
	Tolerances	± 0.50
L ₄	Nominal	3.25
	Tolerances	± 0.25
L ₅		min. 20 % L ₂
L ₆	Nominal	14.00
	Tolerances	±2.00
L		L ₂
Nominal	Tolerances	Nominal
80	± 3.00	50
100		60
120		70
140		
160	± 4.00	100
180		
200		
220		
240		
260	± 5.00	100
280		
300		
340		
400		

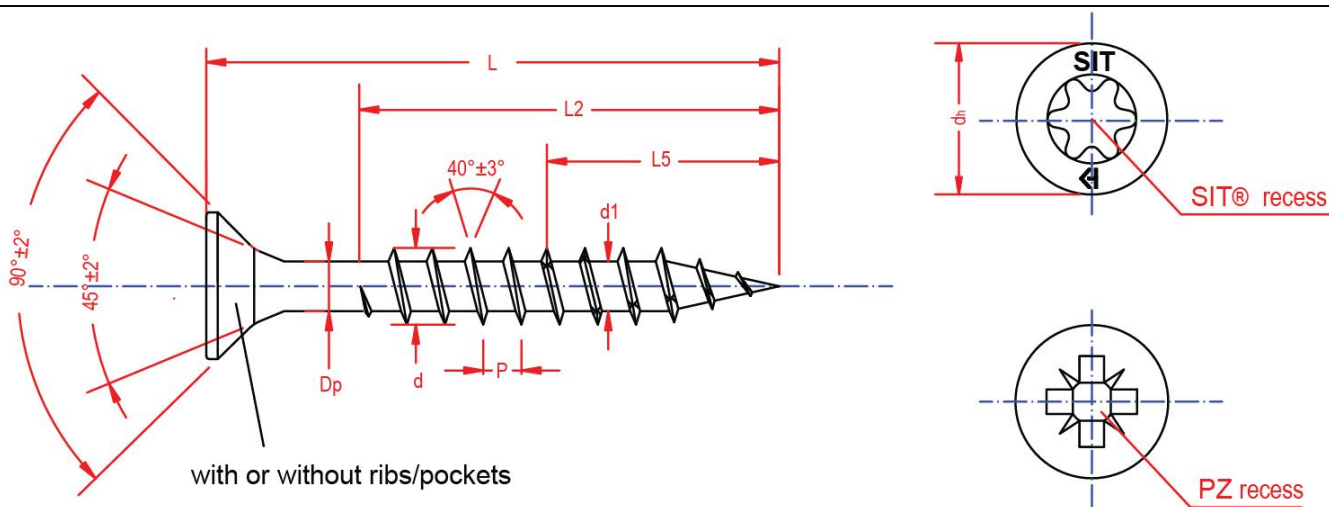
All values in mm except where are indicated.

Stripping thread (L₃) an Kerb (L₆) in all lengths.
Tolerances for L₂: ± 2.0 mm
Material: Carbon steel.

CELO screws VELOX

VELOX screw d = 8 mm – Carbon steel

Annex 4.4



VELOX SCREWS Ø3 to Ø5 and L>13 (Double countersunk head) with partial or full thread											
Thread		Ø3,0	Ø3,5	Ø4,0	Ø4,5	Ø5,0					
d _h	Nominal	6.00	7.00	8.00	9.00	10.00					
	Tolerances	+0.10 / -0.50	+0.20 / -0.50	+0.20 / -0.60	+0.30 / -0.60	+0.30 / -0.70					
d	Nominal	3.00	3.50	4.00	4.50	5.00					
	Tolerances	+0.10 / -0.20	+0.10 / -0.25	+0.10 / -0.30	+0.10 / -0.35	+0.10 / -0.40					
d ₁	Nominal	2.00	2.20	2.60	2.75	3.00					
	Tolerances	+0.05 / -0.15	+0.10 / -0.12	+0.10 / -0.15	+0.10 / -0.17	+0.10 / -0.20					
D _p	Nominal	2.20	2.55	2.90	3.20	3.50					
	Tolerances	± 0.10	± 0.12	± 0.14	± 0.16	± 0.15					
P	Nominal	1.60	1.80	2.00	2.20	2.60					
	Tolerances	± 0.16	± 0.18	± 0.20	± 0.22	± 0.26					
Recess	Pozidriv	Z1	Z2	Z2	Z2	Z2					
	Sit	SIT [®] 10	SIT [®] 10	SIT [®] 20	SIT [®] 20	SIT [®] 25					
L5		min. 25 % L2									
L		L2									
Nominal	Tolerances	FT	PT	FT	PT	FT	PT	FT	PT	FT	PT
17	+ 0.50 / - 1.00	12.80									
20	+ 0.50 / - 1.50	15.70		15.70							
25	+ 0.50 / - 1.50	20.70		20.70		20.70		18.70			
30	+ 0.50 / - 1.50	25.70	15.00	25.70		25.70		23.70		23.20	
35	+ 1.00 / - 2.50	30.60	20.00	29.35	20.00	29.60	20.00	28.10	20.00	28.10	
40	+ 1.00 / - 2.50	35.60	25.00	34.35	25.00	34.60	25.00	33.10	25.00	33.10	25.00
45	+ 1.00 / - 2.50			39.35	30.00	39.60	30.00	38.10	30.00	38.10	30.00
50	+ 1.00 / - 2.50			44.35	30.00	44.60	30.00	43.10	30.00	43.10	30.00
60	± 3.00					54.50	35.00	53.00	35.00	52.50	35.00
70	± 3.00					64.50	40.00	63.00	40.00	62.50	40.00
80	± 3.00							73.00	50.00	72.50	50.00
90	± 3.00										60.00
100	± 3.00										60.00

All values in mm except where are indicated.

FT = Full Thread PT = Partial Thread

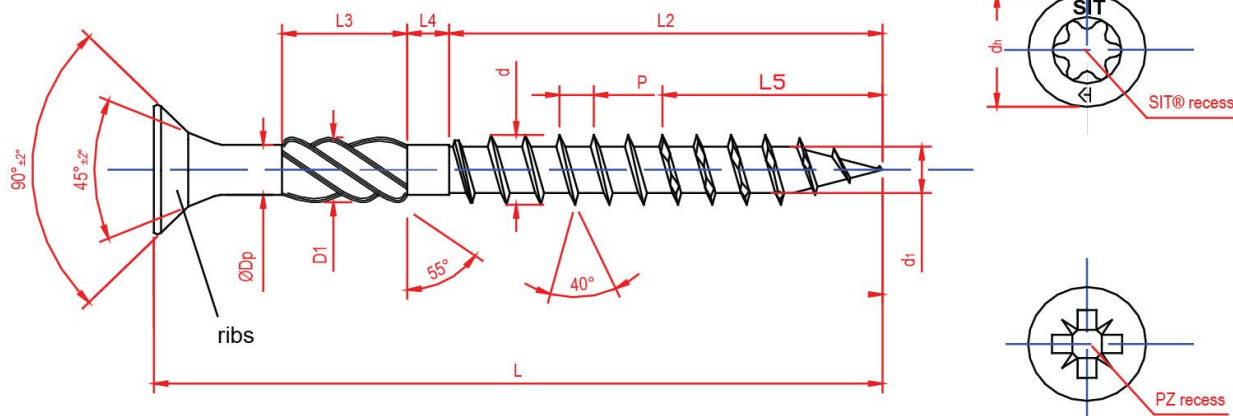
Tolerances for L2: L2 ≤ 20 mm → ± 1.0 mm
20 < L2 < 40 mm → ± 1.5 mm
L2 ≥ 40 mm → ± 2.0 mm

Material: Stainless steel.

CELO screws VELOX

VELOX screws – Stainless steel

Annex 4.5



VELOX SCREWS (Ø6mm double countersunk head) with partial or full thread				
Thread		Ø6,0		
dh	Nominal	12.00		
	Tolerances	+0.40 / -0.80		
d	Nominal	6.00		
	Tolerances	+0.20 / -0.40		
d1	Nominal	3.70		
	Tolerances	+0.15 / -0.20		
Dp	Nominal	4.30		
	Tolerances	+0.10 / -0.30		
P	Nominal	2.60		
	Tolerances	± 0.26		
D1	Nominal	5.05		
	Tolerances	± 0.25		
Recess	Pozidriv	PZ3		
	Sit	SIT® 30		
L5		Min. 25 % L2		
L		L2		
	Nominal	Tolerances	FT PT	
	40	+ 1.00 / - 2.50	32.60	
	50	+ 1.00 / - 2.50	42.60	30.00
	60	± 3.00	52.50	35.00
	70	± 3.00	59.25	40.00
	80	± 3.00	69.25	50.00
	90	± 3.00		60.00
	100	± 3.00		
	110	± 3.00		70.00
	120	± 3.00		

All values in mm except where are indicated.

FT = Full Thread PT = Partial Thread

Stripping thread (L3) and L4 for lengths ≥ 80mm.

Tolerances for L2 : L2 ≤ 20 mm → ± 1.0 mm
20 < L2 < 40 mm → ± 1.5 mm
L2 ≥ 40 mm → ± 2.0 mm

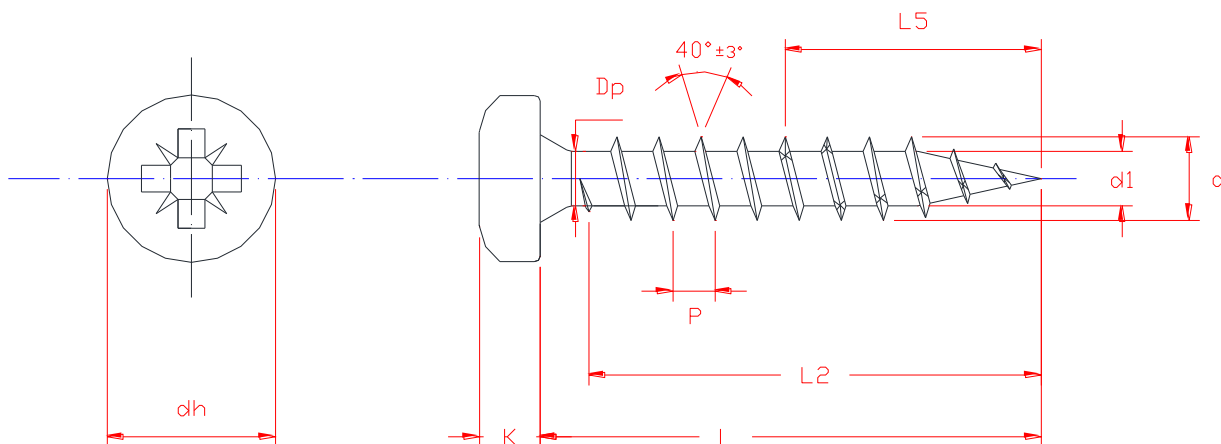
Tolerances for L3 → 10.40 ± 0.50 mm and L4 → 3.25 ± 0.25 mm

Material: Stainless steel.

CELO screws VELOX

VELOX screw d = 6 mm – Stainless steel

Annex 4.6



VELOX SCREWS (Pan head)						
Thread		Ø3,0	Ø3,5	Ø4,0	Ø4,5	Ø5,0
d _h	Nominal	6.00	7.00	8.00	9.00	10.00
	Tolerances	+0.10 / -0.50	+0.20 / -0.50	+0.20 / -0.60	+0.30 / -0.60	+0.30 / -0.70
K	Nominal	2.25	2.50	2.80	3.10	3.50
	Tolerances	+0.10 / -0.13	+0.10 / -0.15	+0.10 / -0.18	+0.10 / -0.21	+0.10 / -0.25
d	Nominal	3.00	3.50	4.00	4.50	5.00
	Tolerances	+0.10 / -0.20	+0.10 / -0.25	+0.10 / -0.30	+0.10 / -0.35	+0.10 / -0.40
d1	Nominal	2.00	2.20	2.50	2.70	3.10
	Tolerances	+0.05 / -0.15	+0.10 / -0.12	+0.10 / -0.15	+0.10 / -0.17	+0.10 / -0.20
Dp	Nominal	2.20	2.55	2.90	3.20	3.50
	Tolerances	± 0.10	± 0.12	± 0.14	± 0.16	± 0.15
P	Nominal	1.60	1.80	2.00	2.20	2.60
	Tolerances	± 0.16	± 0.18	± 0.20	± 0.22	± 0.26
Recess	Pozidriv	Z1	Z2	Z2	Z2	Z2
L5		min. 25 % L2				
L		L2				
Nominal	Tolerances	FT	FT	FT	FT	FT
15	+ 0.50 / - 1.00	13.50				
17	+ 0.50 / - 1.00	15.50	15.50			
20	+ 0.50 / - 1.50	18.50	18.50	18.50	18.50	
25	+ 0.50 / - 1.50		23.50	23.50	23.50	23.50
30	+ 0.50 / - 1.50		28.50	28.50	28.50	28.50
35	+ 1.00 / - 2.50		33.00	33.00	33.00	33.00
40	+ 1.00 / - 2.50		38.00	38.00	38.00	38.00
45	+ 1.00 / - 2.50		43.00	43.00	43.00	43.00
50	+ 1.00 / - 2.50			48.00	48.00	
60	± 3.00			58.00		

All values in mm except where are indicated.

FT = Full Thread PT = Partial Thread

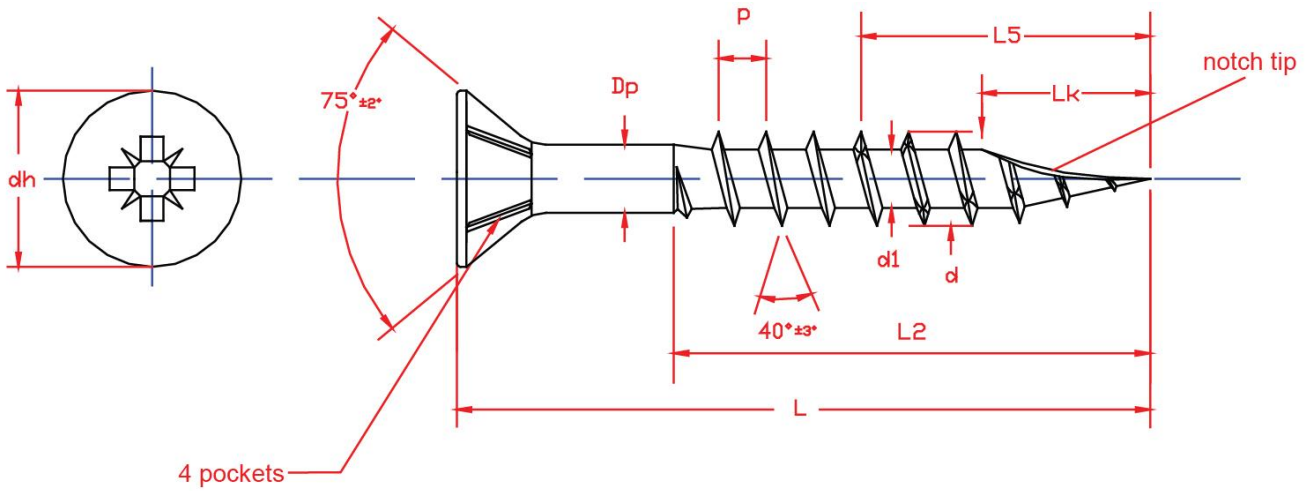
Tolerances for L2 : L2 ≤ 20 mm → ± 1.0 mm
20 < L2 < 40 mm → ± 1.5 mm
L2 ≥ 40 mm → ± 2.0 mm

Material: Carbon steel.

CELO screws VELOX

VELOX screws with pan head – Carbon steel

Annex 4.7



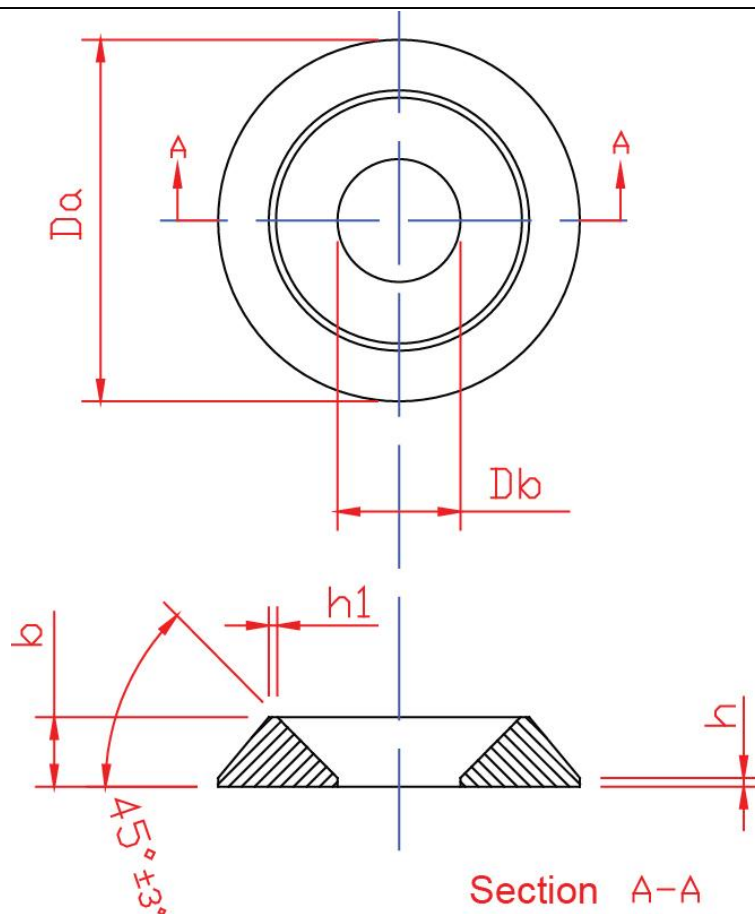
VELOX SCREWS (Quick Velox)				
Thread		Ø3,5	Ø4,0	
d _h	Nominal	6.00	7.00	
	Tolerances	+0.10 / -0.50	+0.10 / -0.60	
d	Nominal	3.50	4.00	
	Tolerances	+0.10 / -0.25	+0.10 / -0.30	
d ₁	Nominal	2.20	2.50	
	Tolerances	+0.10 / -0.12	+0.10 / -0.15	
D _p	Nominal	2.55	2.90	
	Tolerances	± 0.12	± 0.14	
P	Nominal	1.80	2.00	
	Tolerances	± 0.18	± 0.20	
Recess		Pozidriv	Z2	Z2
L _k	Nominal	8.00	8.50	
	Tolerances	± 0.40	± 0.42	
L ₅		min. 25 % L ₂		
L		L ₂		
Nominal	Tolerances	PT	FT	PT
30	+ 0.50 / - 1.50		25.00	
40	+ 1.00 / - 2.50			27.00
45	+ 1.00 / - 2.50			32.00
50	+ 1.00 / - 2.50	37.00		34.00
60	± 3.00			43.50

All values in mm except where are indicated.

FT = Full Thread PT = Partial Thread

Tolerances for L₂:
 L₂ ≤ 20 mm → ± 1.0 mm
 20 < L₂ < 40 mm → ± 1.5 mm
 L₂ ≥ 40 mm → ± 2.0 mm

Material: Carbon steel.



Cup washer for structural VELOX		
	Thread	Ø8
Da	Nominal	24.8
	Tolerances	±0.5
Db	Nominal	8.4
	Tolerances	±0.4
b	Nominal	5.0
	Tolerances	±0.25
h	Nominal	0.6
	Tolerances	±0.1
h1	Nominal	0.6
	Tolerances	±0.1

All values in mm except where are indicated.

Material: Carbon steel.

CELO screws VELOX

Washer for VELOX screws with d = 8 mm

Annex 4.9